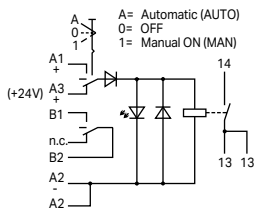


# Relay Module

## 789 Series

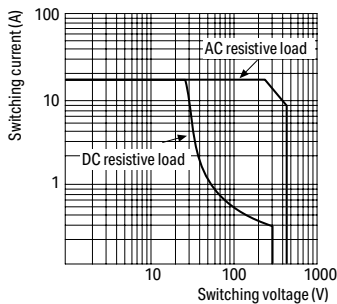


Relay Module; 1 make contact; Limiting continuous current: 16 A; for lamp loads; Manual/OFF/Auto switch; Status indicator: red; 18 mm wide

$U_N$	$I_N$	Item No.	Pack. Unit
24 VDC	19 mA	789-325	10

### Note:

To protect the relay coils and contacts, inductive loads must be dampened with an effective protection circuit.



Load Limit Curve

### Control Circuit

Input voltage range	-15 ... +20 %
Nominal voltage (feedback contact)	24 VDC; SELV/PELV

### Load Circuit

Number of make contacts/switch-on contacts	1
Contact material	AgSnO <sub>2</sub>
Limiting continuous current	16 A
Inrush current (resistive) max.	120 A (AC) / 50 ms
Switching voltage (max.)	250 VAC
Switching power (resistive) max.	4000 VA (AC); DC see load limit curve
Recommended minimum load	12 V / 10 mA
Pull-in time (typ.)	15 ms
Drop-out time (typ.)	5 ms
Electrical life (NO; resistive load; 23 °C)	100 x 10 <sup>3</sup> switching operations
Mechanical life	10 x 10 <sup>6</sup> switching operations

### Signaling

Status indicator	Red LED
------------------	---------

### Safety and Protection

Rated voltage	250 V
Rated surge voltage	4 kV
Pollution degree	2
Dielectric strength, control/load circuit (AC, 1 min)	4 kV <sub>rms</sub>
Dielectric strength, open contact (AC, 1 min)	1 kV <sub>rms</sub>
Protection type	IP20

### Connection Data

Connection technology	CAGE CLAMP®
Solid conductor	0.08 ... 2.5 mm <sup>2</sup> / 28 ... 14 AWG
Fine-stranded conductor	0.08 ... 2.5 mm <sup>2</sup> / 28 ... 14 AWG
Strip Length	9 ... 10 mm / 0.35 ... 0.39 inch

### Physical Data

Width	17.5 mm / 0.689 inch
Height from upper-edge of DIN-rail	55 mm / 2.165 inch
Depth	90 mm / 3.543 inch

### Mechanical Data

Mounting type	DIN-35 rail
---------------	-------------

### Material Data

Weight	57.2 g
--------	--------

### Environmental Requirements

Surrounding air temperature (operation at $U_N$ )	-25 ... +40 °C
Surrounding air temperature (storage)	-40 ... +70 °C
Processing temperature	-25 ... +50 °C

### Standards and Specifications

Standards/specifications	EN 60664-1
--------------------------	------------